

KVK Silent 250 EC

Centrifugal circular duct fan

Item Number: 92171

Variant: 230V 1~ 50Hz



- Low sound level, thick and high density insulation
- Compact design, easy installation
- Easy maintenance, service cover
- Air tight design
- High efficiency and low SFP in a real working point
- Potentiometer included, possible to speed control 0-100%
- Simple to install, mounting brackets included
- Integrated motor protection
- Aluzinc casing, C4 corrosion class

KVK Silent EC is a box fan with circular duct connections. The casing is insulated with thick and high density mineral wool insulation. The casing is manufactured from Aluzinc in corrosion class C4. A service cover with screw connection and hinges with pins make cleaning and service easy.

KVK Silent EC is delivered with integrated motor protection and pre-wired potentiometer (0-10V) that allows you to easily find the desired working point. The fan can be demand controlled via sensors for CO₂, temperature, humidity, presence indication and VAV. Size 315-500 also offers possibility to communication via Modbus.

KVK Silent EC can be installed in any position.

The FK mounting clamp (accessory) facilitates easy installation and removal and prevents the transfer of vibration to the duct.

Main office Ktichen Fan



Technical parameters

Nominal data	
Voltage (Nominal)	230 V
Frequency	50 Hz
Phase(s)	1~
Input power	168 W
Input current	1.17 A
Impeller speed	1,823 r.p.m.
Air flow	max 0.455 m ³ /s
Temperature of transported air	max 60 °C
Max temperature of transported air, when speed controlled	60 °C
Sound data	
Sound pressure level at 3m (20m ² Sabin)	43 dB(A)
Protection/Classification	
Enclosure class, motor	IP44
Insulation class	F

Data according to ErP

ErP ready

ErP 2018

Dimensions and weights

Duct dimension; Circular, inlet

250 mm

Duct dimension; Circular, outlet

250 mm

Weight

27.45 kg

Others

Duct connection type

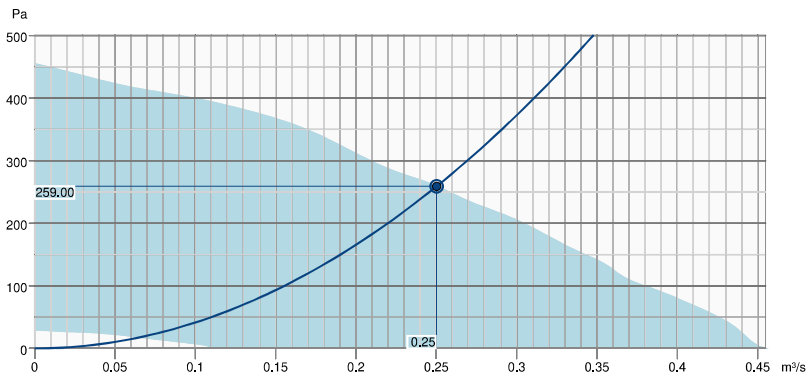
Circular

Motor type

EC

Performance

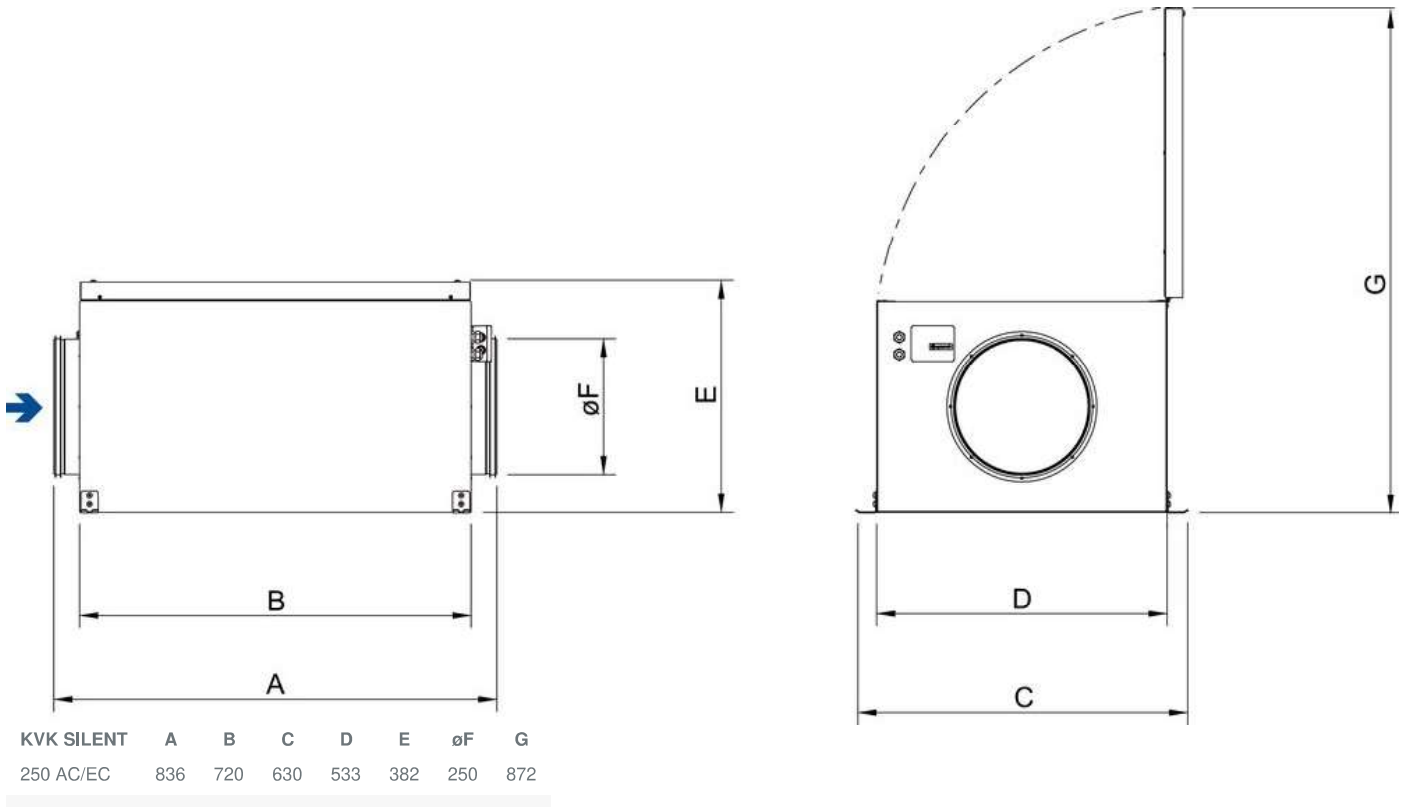
Performance curve



Hydraulic data	
Required air flow	0,25 m³/s
Required static pressure	259 Pa
Working air flow	0,25 m³/s
Working static pressure	259 Pa
Air density	1,204 kg/m³
Power	164.5 W
Fan control - RPM	1828 rpm
Current	1,14 A
SFP	0,658 kW/m³/s
Control voltage	10,0 V
Supply voltage	230 V

Sound power level		63	125	250	500	1k	2k	4k	8k	Total
Inlet	dB(A)	55	64	63	54	49	46	43	38	67
Outlet	dB(A)	49	66	65	60	63	61	55	51	71
Surrounding	dB(A)	29	42	48	40	38	32	34	26	50
Sound pressure level at 3m (20m² Sabine)	dB(A)	-	-	-	-	-	-	-	-	43
Sound pressure level at 3m free field	dB(A)	-	-	-	-	-	-	-	-	29

Dimension



Wiring

RD Red

YE Yellow

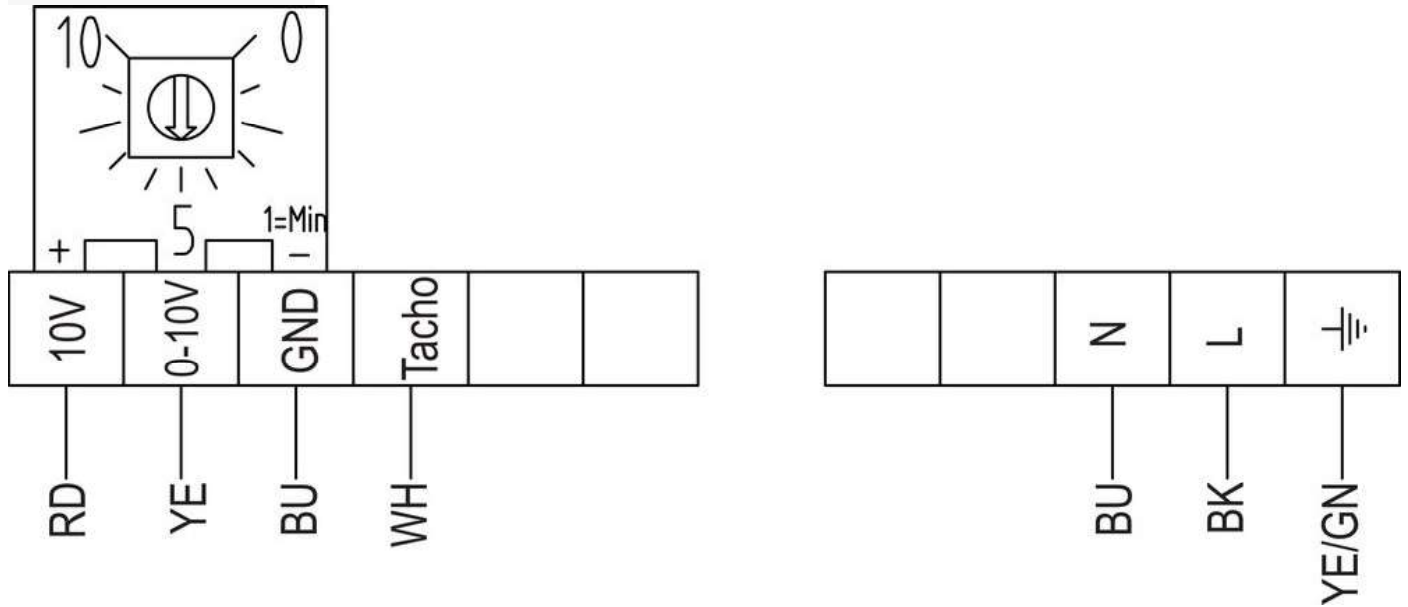
BU Blue

WH White

GN Green

BN Brown

BK Black



Ecodesign

Product	
Trade name	Systemair
Product name	KVK Silent 250 EC
Ecodesign	
ErP compliance	2018
Unit category	NRVU
Drive	Integrated VSD
Unit type	UVU
Heat recovery type	None
Temperature ratio (UVU)	Not applicable
qv nom	0.25 m ³ /s
P nom	0.165 kW
Ps nom	259 Pa
Fan efficiency	39.2 %
External Leakage	0.3 %
Sound power level LWA	43 dB(A)

Accessories

- CXE/AVC Modbus (37256)
- EC-Basic-CO2 and temperature (24808)
- EC-Basic-T temperature (24805)
- EC-Selector (9908)
- EC-Vent Room Unit (3018)
- MTP 20, on/off, 3-step (310220)
- REV-3POL/03 ON/OFF (33978)
- SG 250 Protection guard (5610)
- CB 250-6,0 400V/2 Duct heater (5372)
- HR1 Room Humidistat (215150)
- RT 0-30 Room Thermostat (5151)
- CBM 250-6,0 400V/2 Duct heater (9089)
- CBMF 250-6,0 400V/2 Duct heater (12249)
- FFR 250 Filter cassette (1776)
- FK 250 Fast clamp (1612)
- RSK-250 Back draft damper (5603)
- THS 200 Hood w.cover pl. black (134466)
- VBC 250-3 Water heating batt (9843)
- VK-25 Louvre shutter (5640)
- DMD-C Pressure controller (15793)
- EC-Basic-H humidity (24807)
- EC-Basic-U universal 0-10V (24806)
- EC-Vent control board (3115)
- MTP 10, 10K, Speed control (32731)
- MTV-1/010 Controller 0..10V+ (30650)
- S-5EC/FRQ (76738)
- VKK-250 Back draft damper (1627)
- CO2RT-R-D Transmitter (6993)
- Presence detector/IR24-P (6995)
- CB 250-9,0 400V/3 Duct heater (5373)
- CBMF 250-3,0 230V/1 Duct heater (12248)
- CWK 250-3-2,5 Duct cooler,circ (30024)
- FGR 250 Filter cassette (1815)
- LDC 250-900 Silencer (5196)
- THB 200 Hood w.cover pl. black (134465)
- VBC 250-2 Water heating batt (5460)
- VBF 250 Water heating battery (1733)

Documents

- [KVK_SILENT_SLIM_OPERATING_MAINTENANCE_145899_CE_EN_A007.PDF](#)

MTP 10, 10K, Speed control

32731 MTP 10, 10K, Speed control

Item Number: 32731

Variant: 10V

Potentiometer 10kΩ for speed controlling

- Combined flush or surface mounting

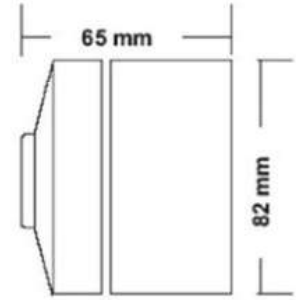
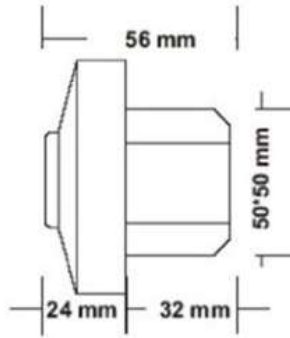
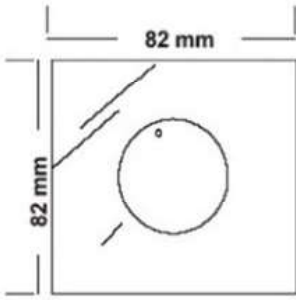
For the manual control of speed and air flow of electrical fans with 0-10V output. The jetproof IP 54 enclosure is achieved with the included surface mounting case. (Flush-mounting without the surface mounting case, gives a splash proof IP 44 enclosure also suitable for highly demand environments as bathrooms etc).



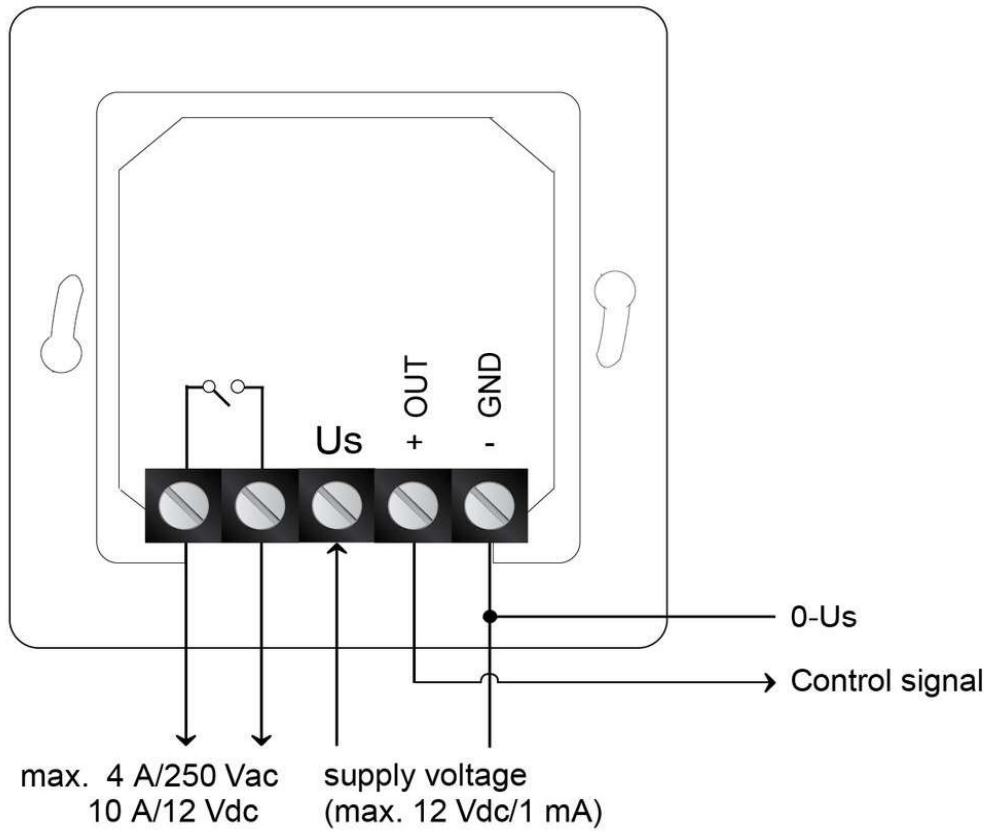
Technical parameters

Nominal data	
Voltage (Nominal)	10 V
Voltage type	DC
Protection/Classification	
Enclosure class	IP44
Controller and Sensors	
Switching capacity	4A / 250V
Rangeability	0...10 V
Control signal	0...10 kOhm
Dimensions and weights	
Weight	0,17 kg
Others	
Contact	1 NO

Dimension



Wiring



Us = 10V Supply

+ = 0-10V Output signal

- = GND

Documents

- DATASHEET_MTP_10.PDF
- MTP-Declaration of conformity.pdf